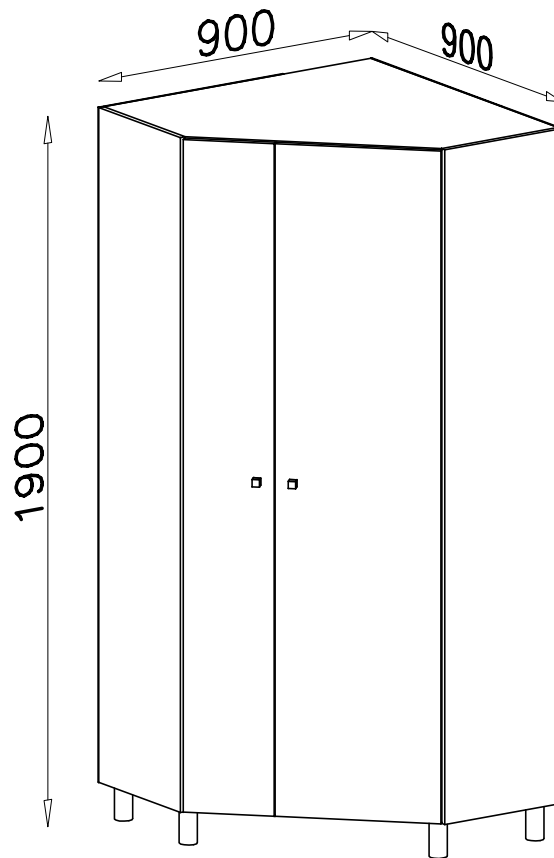
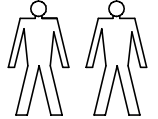
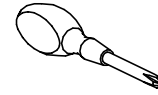
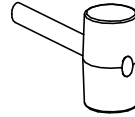
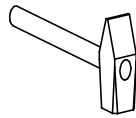
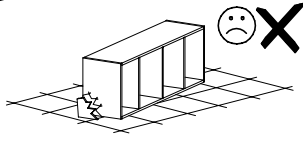
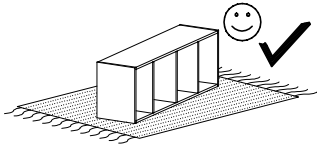
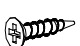


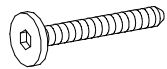

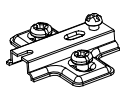
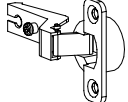





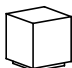
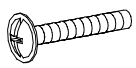

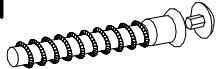

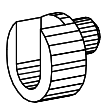


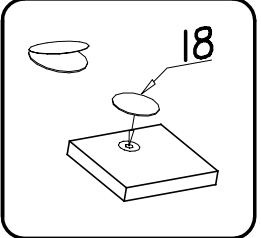
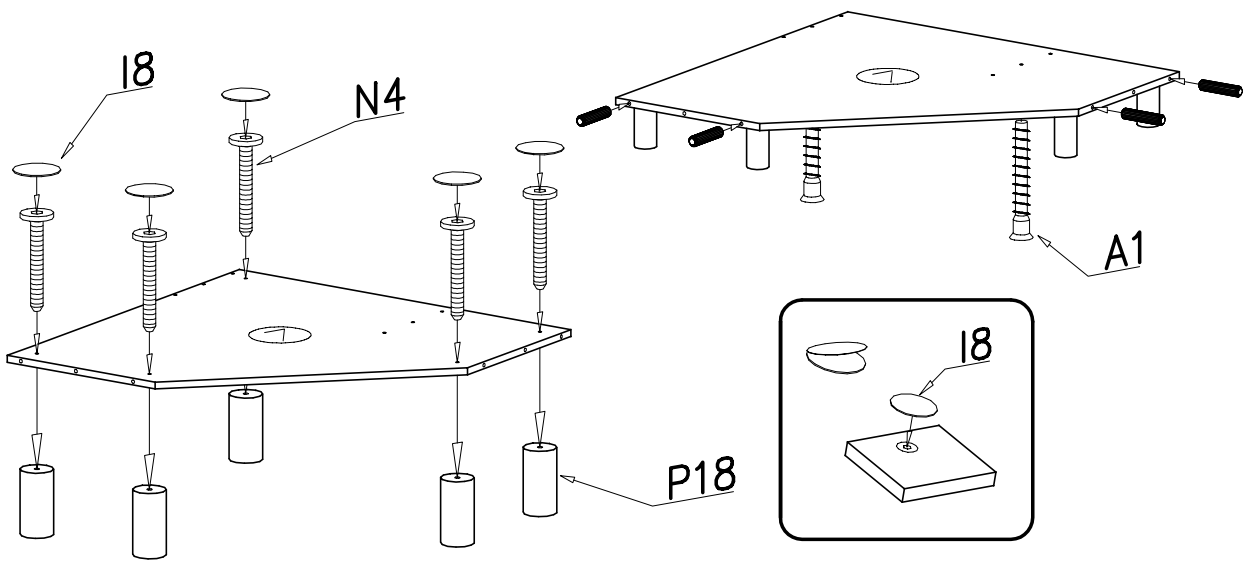
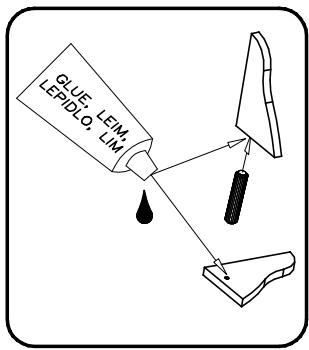
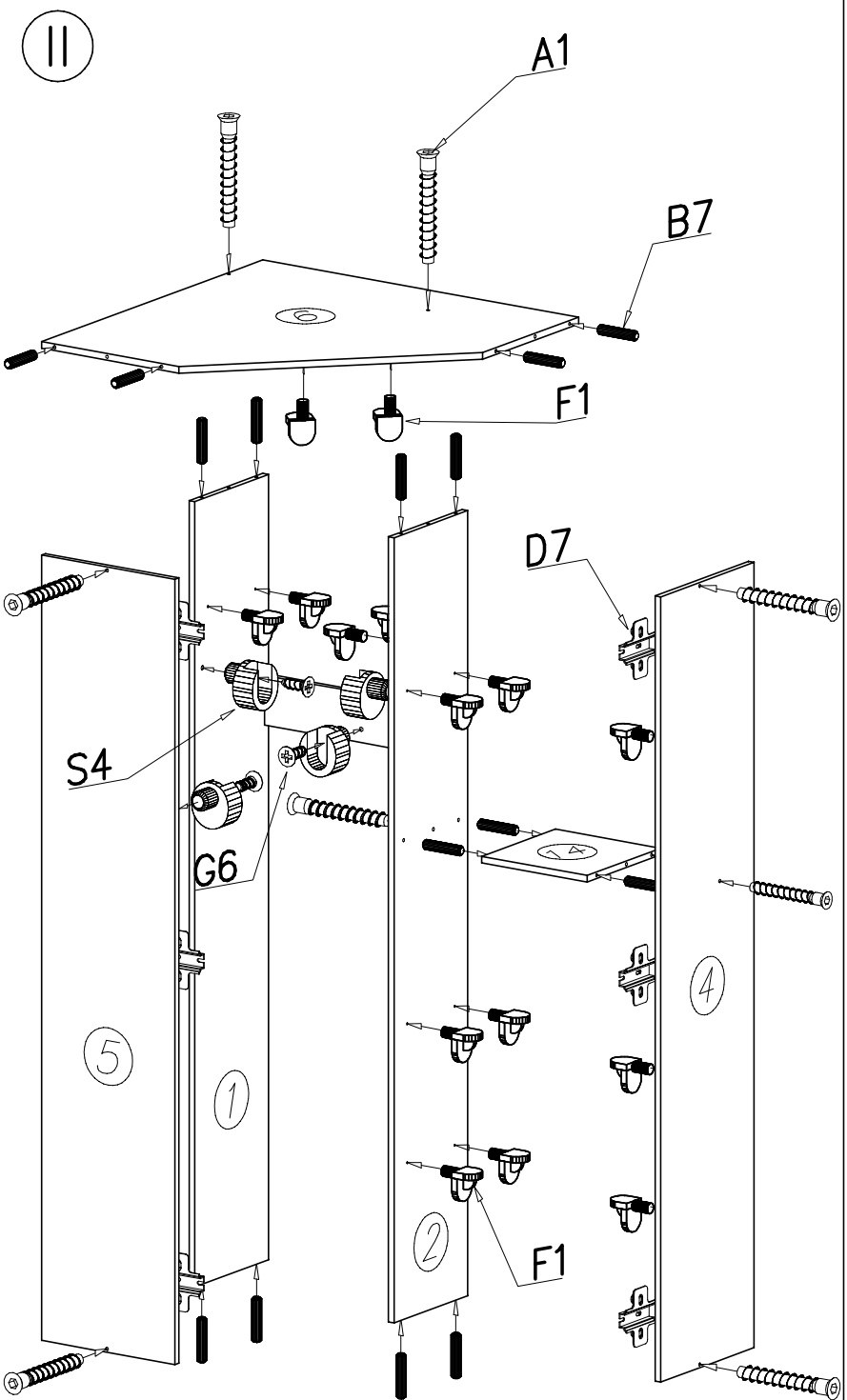
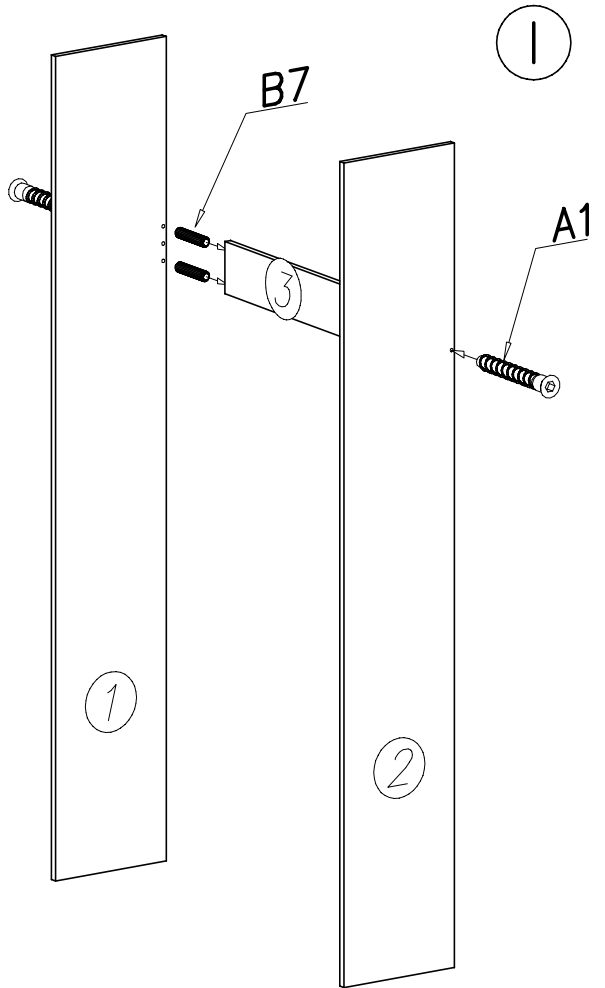


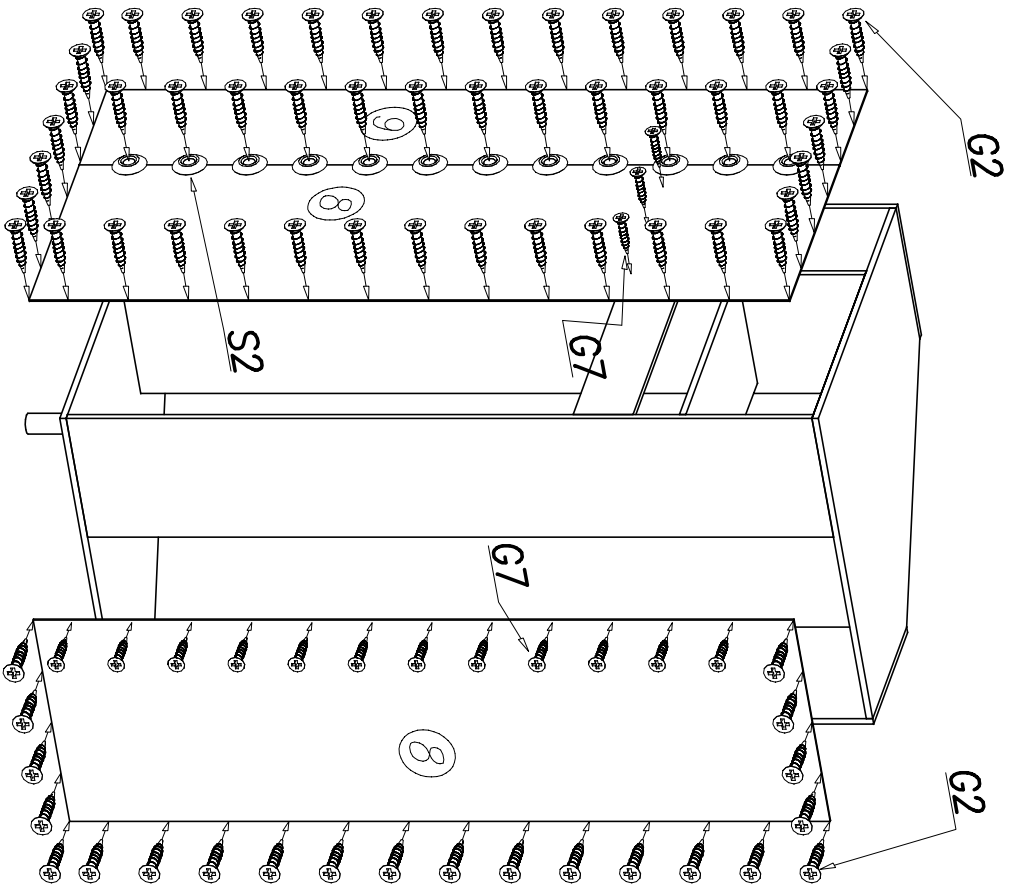
FARO FR 2L/P



G6  3x13 x4	F1  x18	I8  Ø20 x5	N4  M6x40 x5	G7  3x16 x15
D7  x6	C7  x6	P18  100mm x5	G4  4x16 x12	S2  x12
W1  x2	G2  3x20 x75	E38  x2	N13  M4x22 x2	S5b  578mm x1
A1  Ø7x50 x12	B7  Ø8x30 x24	S4  x4	W2  x1	S5a  854mm x1



III



IV

